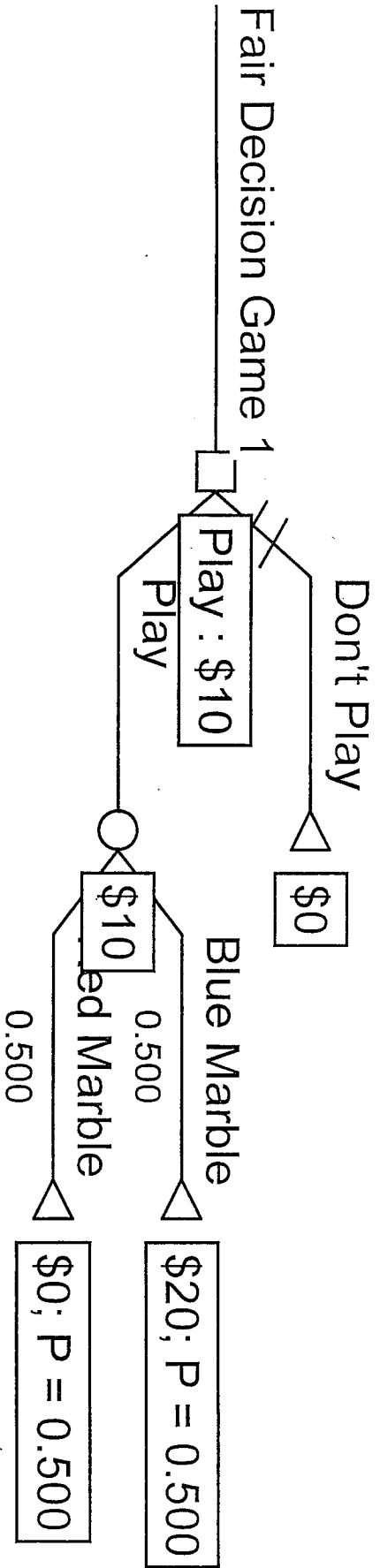
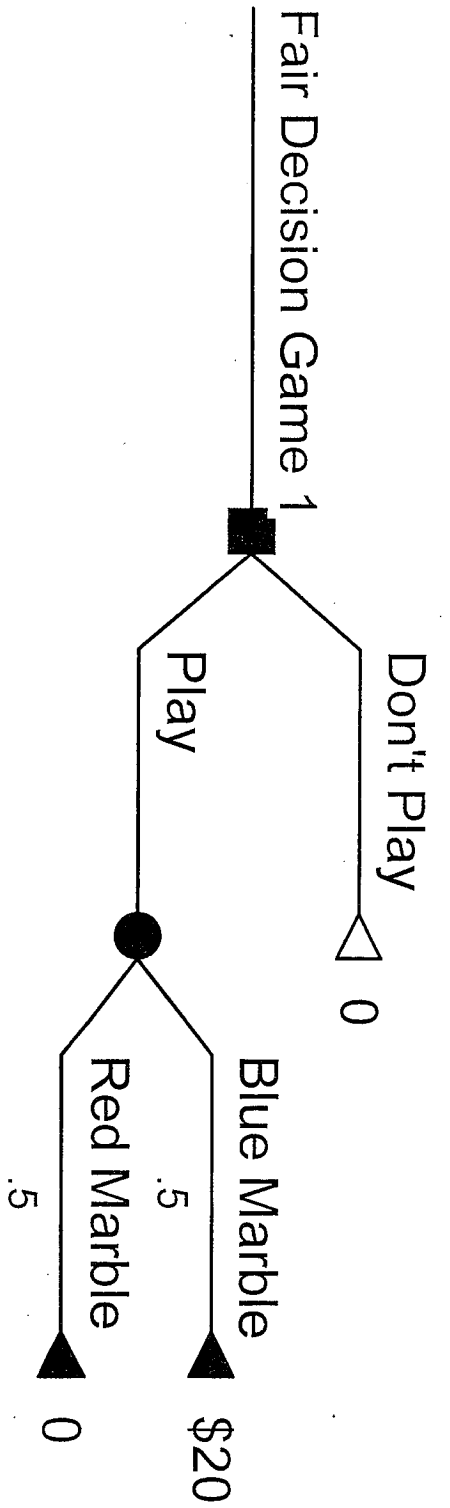
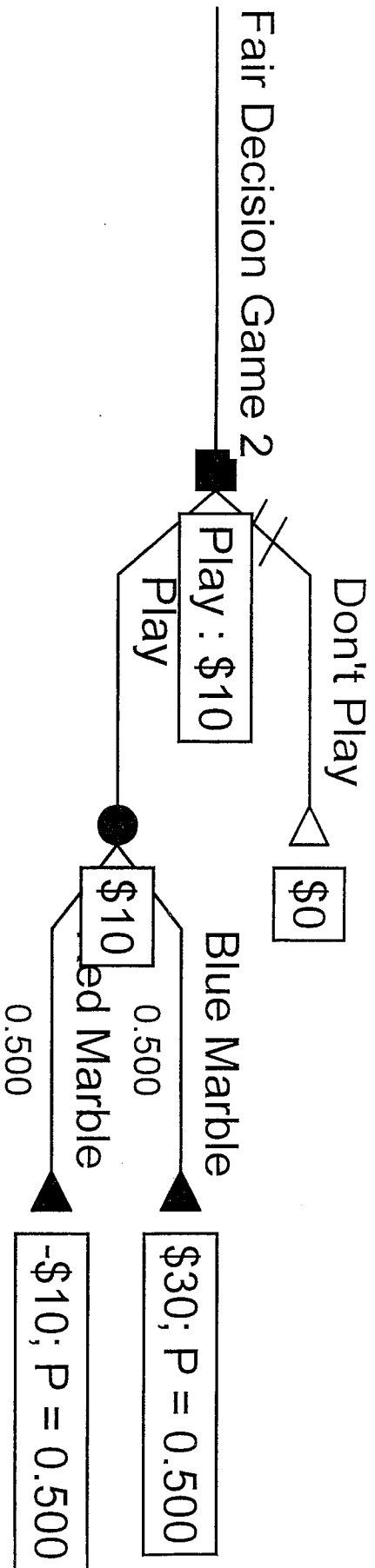
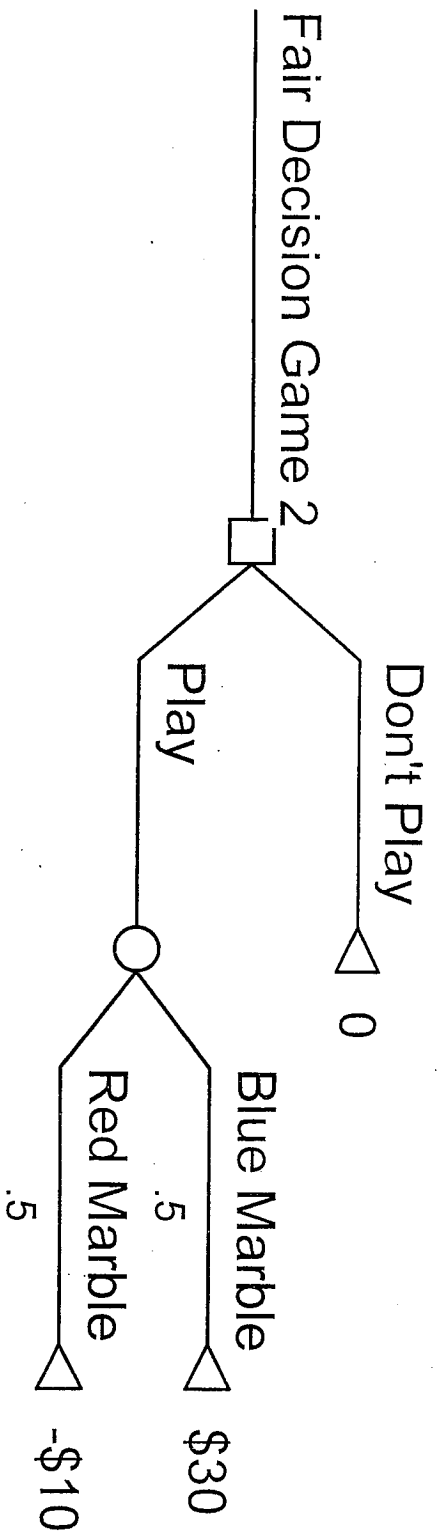


**Decision Tree Structure**

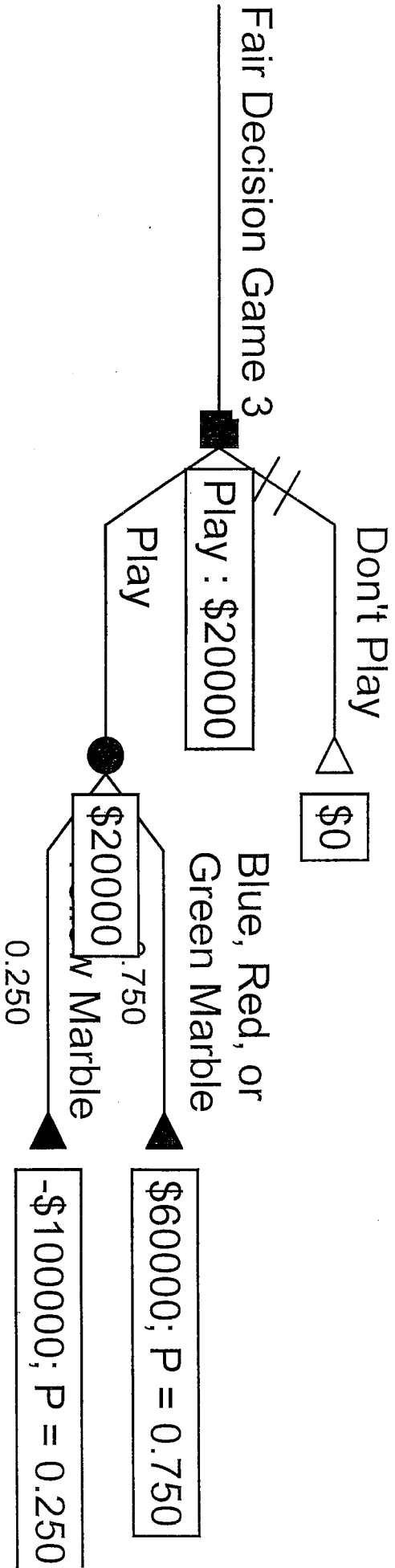
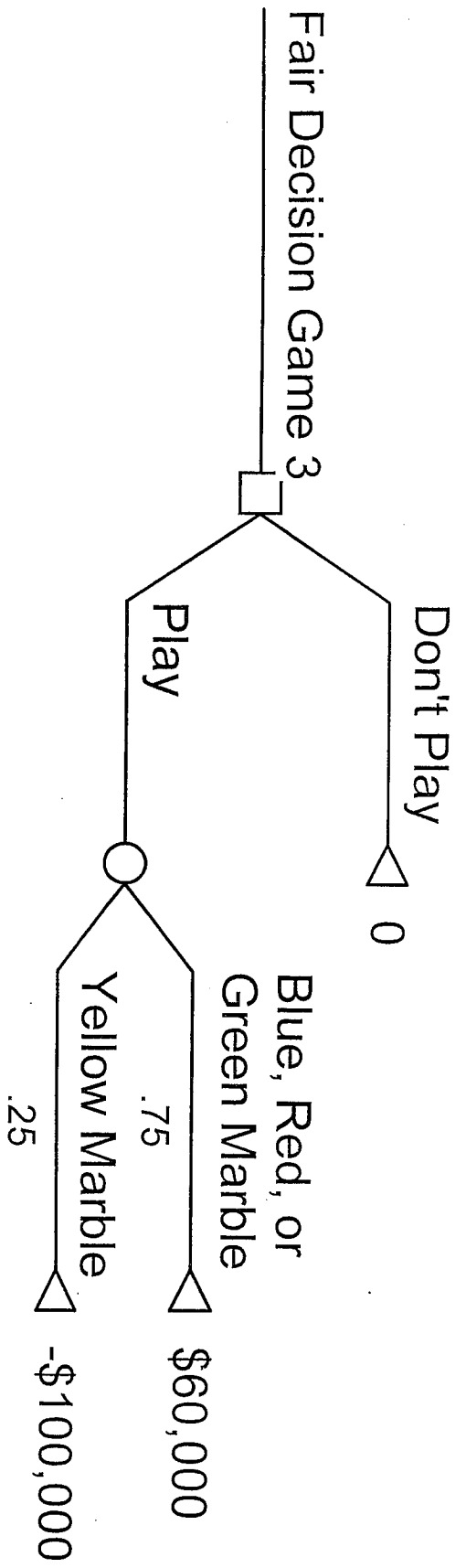


Estimated Monetary Value  
(EMV)  
of Fair Decision Game 1 = \$10

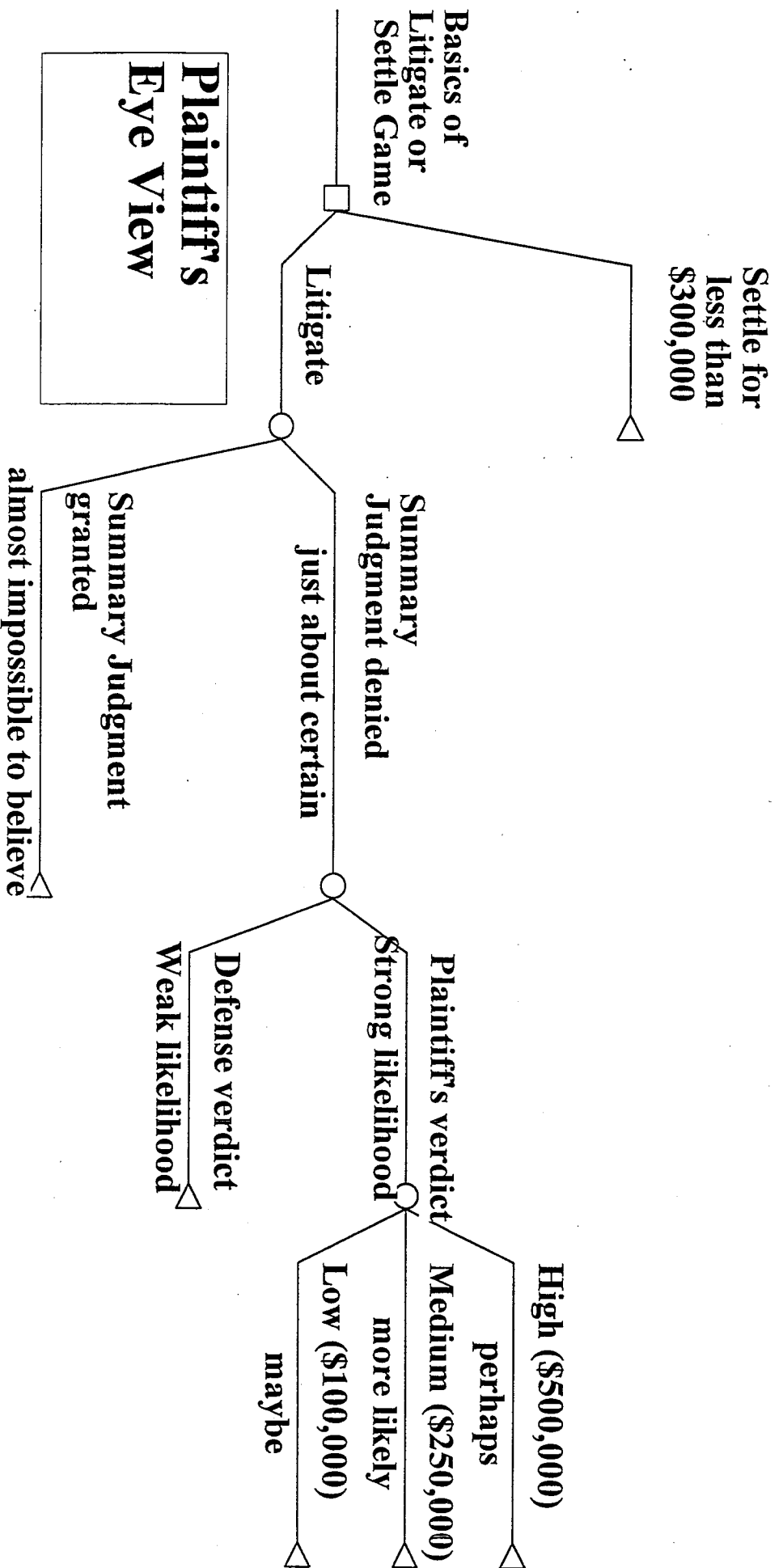


Estimated Monetary Value  
(EMV)

of Fair Decision Game 2 = \$10



Estimated Monetary Value  
(EMV)  
of Fair Decision Game 3 = \$20,000



Settle for  
more than  
\$100,000

Basics of  
Litigate  
or Settle  
Game

Litigate

Defendant's  
Eye View

Summary  
Judgment  
denied

most likely

Summary Judgment  
granted  
possible, long shot

cost = \$10,000

Plaintiff's  
verdict

likely

Defense  
verdict  
unlikely

cost = \$50,000

High  
(\$500,000)

perhaps

Medium  
(\$200,000)

more likely

Low  
(\$80,000)

maybe

-\$550,000

-\$250,000

-\$130,000

